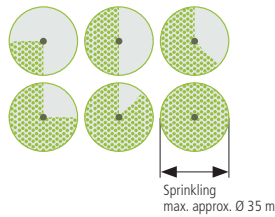
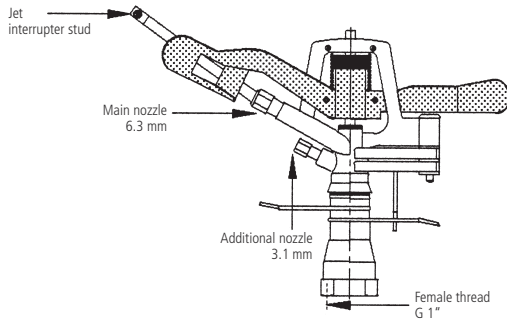


# Circular/sector sprinkler



## Circular/sector sprinkler „V 65“

Advantage / benefit: ... Swing arm sprinkler

**Jet interrupter stud for regulation of throw length and drop size**  
**Sector limitation from 20° to 360°**  
**Infinitely variable**

Material: ..... brass; springs and jet interrupter stud: chromium steel

Requirements: ..... 3/4" hoses and minimum pressure of 3 bar

Area of application: .... For medium and high sprinkling densities  
**fields of use: cultivation of vegetables on fields, fruit production, frost protection, sports and leisure time installations etc.**

Connection female thread mm	30.93
<b>Connection female thread</b>	<b>G 1"</b>
Water throughput at 3 bar l/min	66.6
Water throughput at 4 bar l/min	77
Throw length at 4 bar approx. m	17.5 (standard nozzle equipment)
HD main nozzle, nozzle bore Ø mm	6.3
ZD additional nozzle, nozzle bore Ø mm	3.1
Recommended pressure range bar	3 – 8
PU units	1
Covering box units	8
Catalogue no.	656331SB
<b>EDV no.</b>	<b>57.5663.9</b>